

# Model 0200 Gravity Roller Conveyor 1.4

- Four Different Roller Centers
- 5' and 10' Lengths
- 45 and 90 Degree Curves
- Bolted-in Crossmembers

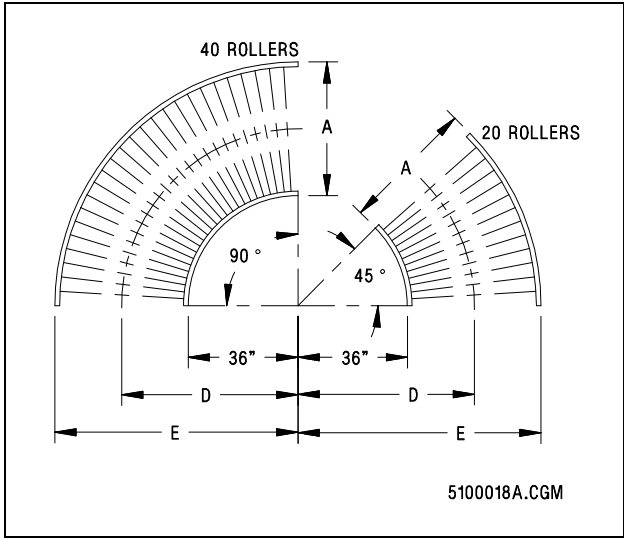
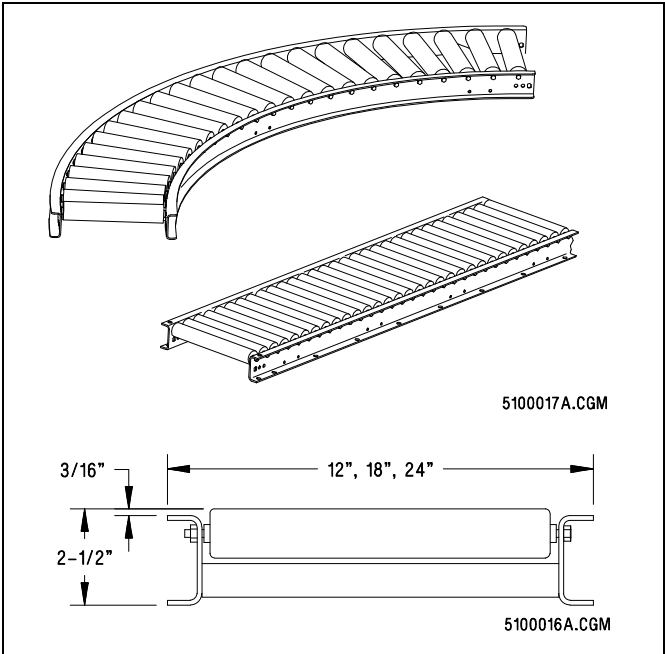
Gravity conveyor mechanizes an operation that doesn't justify powered equipment. Gravity conveyor quickly and effortlessly moves thousands of items in almost any direction with minimal operating and maintenance costs.

**Bed:** 12 gage, 2-1/2" deep, galvanized.

**Bed Lengths:** 5' and 10'. Other lengths available.

**Rollers:** 18 gage steel with rust-preventive coating, and 1/4" ID CA bearings.

**Roller Centers:** 1-1/2", 3", 4-1/2", and 6".



**10' Bed Capacities (pounds)\***

Width	Roller Centers			
	1.5"	3"	4.5"	6"
12"	545	575	585	595
18"	505	555	570	580
24"	460	535	555	565

Each Individual Roller Assembly = 40 pounds capacity.  
 \* 5-foot sections have at least twice the capacity amount of a 10-foot section (subject to the capacity of the rollers supporting the load).

**Weights per Foot (pounds)\*\***

Roller Centers (in.)	Widths (in.)		
	12"	18"	24"
3	9.6	11.7	13.8
4.5	8.6	10.1	11.6

\*\*Weights include 3 lb per foot for supports.

**Curve Dimensions**

A (inches)	D (inches)	E (inches)
12	42	48
18	45	54
24	48	60

**Curve Degrees:** 45 and 90.

**Curve Capacities:** Equal to or in excess of 10' straight sections.

**90 Degree Curve Weights (pounds)\*\*\***

Width	12"	18"	24"
Weight	116	136	157

\*\*\*Weights include 60 lb per curve for supports.

