

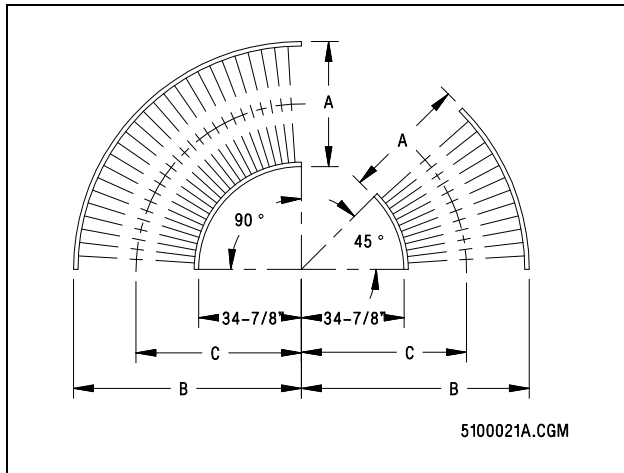
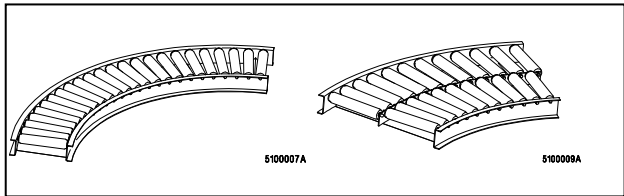
# Model 0200 Gravity Roller Conveyor 1.9 Hex

- Five Widths
- Single/Double Lane Curves
- 45 and 90 Degree Curves

Gravity conveyor mechanizes an operation that doesn't justify powered equipment. Gravity conveyor quickly and effortlessly moves thousands of items in almost any direction with minimal operating and maintenance costs.

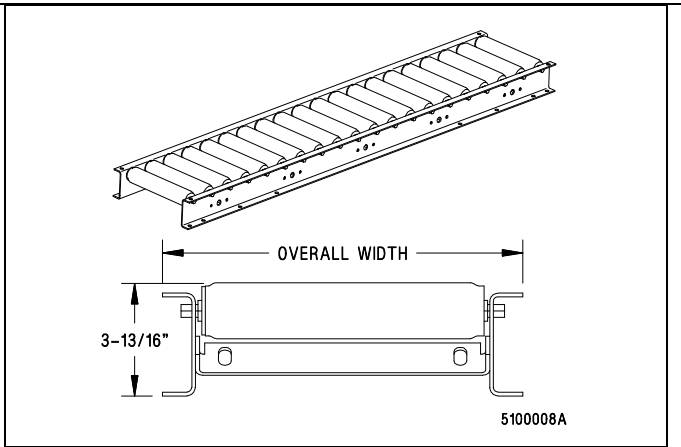
**Bed:** 10 gage, 3-1/2" deep, galvanized, welded construction. 5' and 10' long. Other lengths available.

**Curves:** Single and double lane. Double lane is not available in 12" and 18" widths. 45 and 90 degrees.



**Straight and Curve Dimensions**

A (Overall Width) (in.)	C (in.)	B (in.)
12-1/4	41	47-1/8
18-1/4	44	53-1/8
24-1/4	47	59-1/8
30-1/4	50	65-1/8
36-1/4	53	71-1/8



**10 Foot Bed Capacities (pounds)**

Width (in.)	Roller Centers	
	3" c-c	4" c-c
12	1260	1280
18	1225	1250
24	1185	1220
30	1145	1190
36	1105	1160
One Roller		250

**NOTE** 5-foot sections are at least twice the capacity amount of a 10-foot section (subject to the capacity of the rollers supporting the load).

**Rollers:** 16-gage steel with rust-preventive coating, 7/16" hex SR bearings, and 3" and 4" roller centers.

**Curve Capacities:** Equal to or in excess of 10' straight sections.

**Weights per Foot (pounds) with SR Bearings\***

Roller Centers	Widths (in.)				
	12"	18"	24"	30"	36"
3" c-c	15.6	19.6	23.9	27.6	31.7
4" c-c	13.8	16.9	20.4	23.3	26.5

\*Weights include 3 lb/ft for supports.

**Options:** Rollers Low, 14 gage, and 2-1/4" centers.

**Optional Widths:** 42" through 54" in 6" increments.

**90 Degree Curve Weights (pounds)\*\***

Width	12"	18"	24"	30"	36"
Weight	140	174	205	239	269

\*\*Weights include 60 lb/curve for supports.

Patented Technology

Rev 2008 November-05